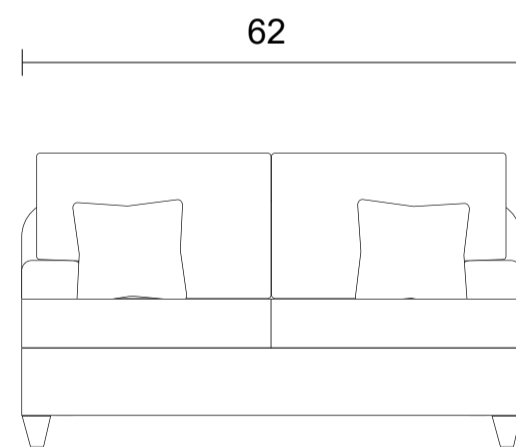
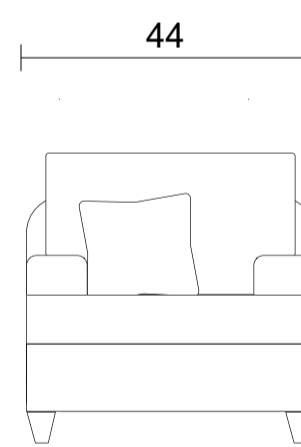


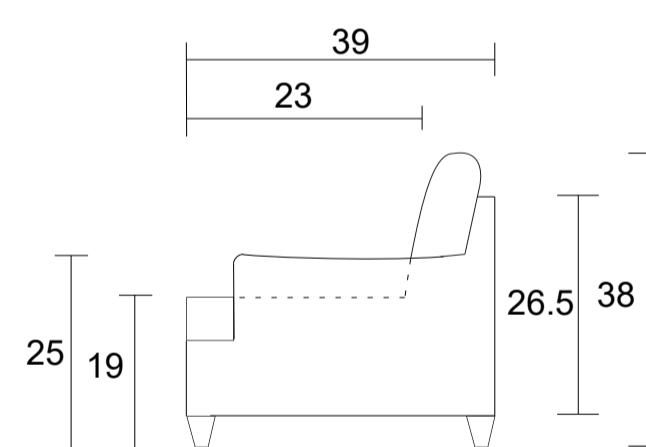
Sofa



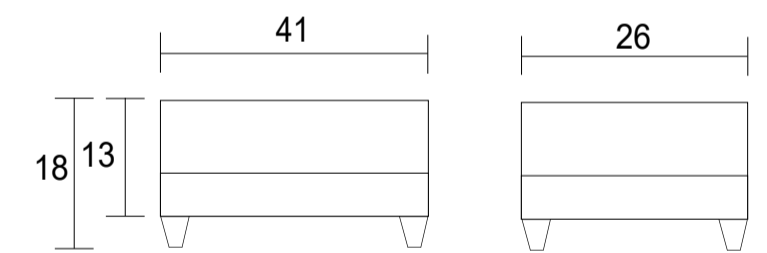
Loveseat



Chair 1/2



Sideview



Ottoman Front 1/2 Ottoman Sideview 1/2

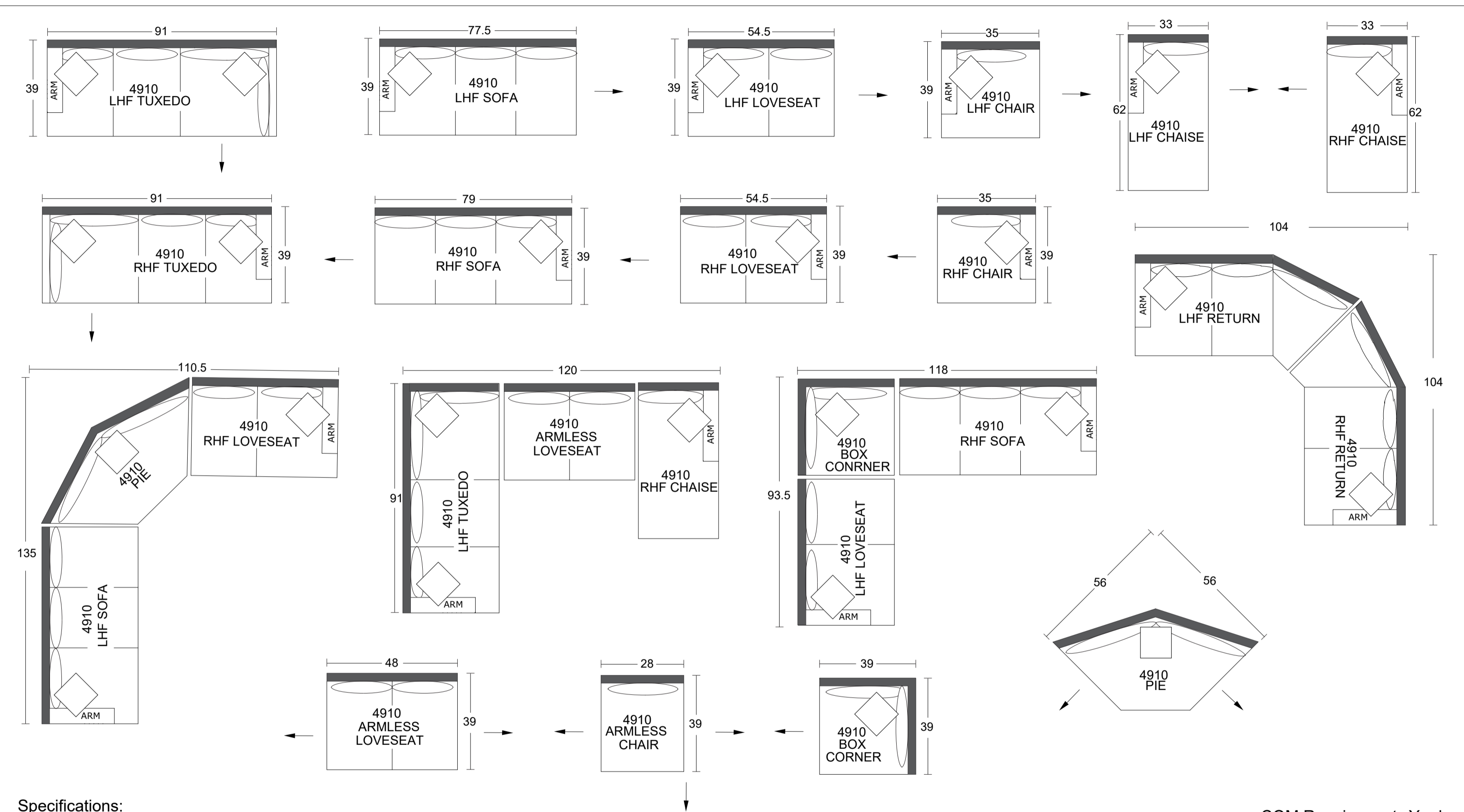
Specifications:

- 5" square tapered leg in espresso, walnut or natural. Please specify on order
- Sofa & Loveseat: 2 knife edge toss pillows (19"x19") with zippers, accented up to grade G
- Chair & 1/2: 1 knife edge toss pillow (19"x19") with zipper, accented up to grade G
- Sectional pieces: 1 knife edge toss pillow (19"x19") with zipper, accented up to grade G (per arm or corner)
- No-Sag sinuous spring system with loose seat cushions
- Loose knife edge back cushions
- No piping
- Pieces upholstered in leather do not include toss cushions
- Measurements may vary +/- 1"

March 11th, 2026

COM Requirement	Yards
LHF/RHF Tux	17.5
LHF/RHF Sofa	14
LHF/RHF Loveseat	11
LHF/RHF Chaise	8
Armless Loveseat	9.25
Armless Chair	5.5
Box Corner	8
Pie Corner	10.5

Yardage indicated is based on 54" solid, railroad, non-matched fabrics



Specifications:

- 5" square tapered leg in espresso, walnut or natural. Please specify on order
- Sofa & Loveseat: 2 knife edge toss pillows (19"x19") with zippers, accented up to grade G
- Chair & 1/2: 1 knife edge toss pillow (19"x19") with zipper, accented up to grade G
- Sectional pieces: 1 knife edge toss pillow (19"x19") with zipper, accented up to grade G (per arm or corner)
- No-Sag sinuous spring system with loose seat cushions
- Loose knife edge back cushions
- No piping
- Pieces upholstered in leather do not include toss cushions
- Measurements may vary +/- 1"

March 11th, 2026

COM Requirement	Yards
LHF/RHF Tux	17.5
LHF/RHF Sofa	14
LHF/RHF Loveseat	11
LHF/RHF Chaise	8
Armless Loveseat	9.25
Armless Chair	5.5
Box Corner	8
Pie Corner	10.5

Yardage indicated is based on 54" solid, railroad, non-matched fabrics