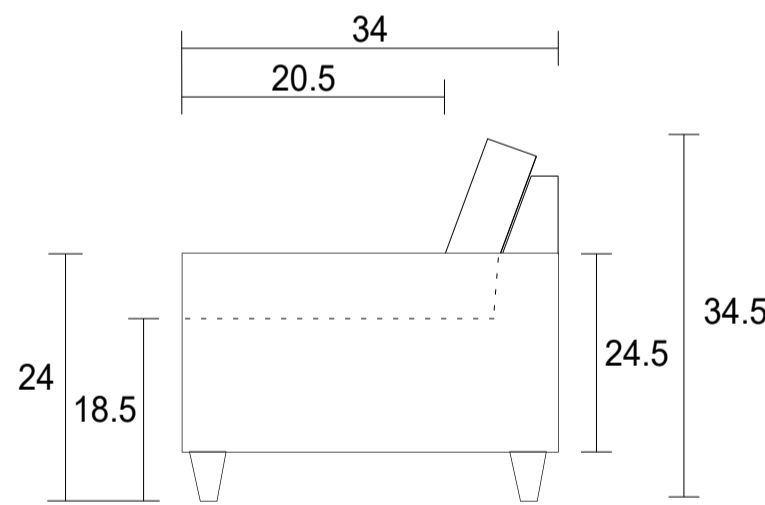
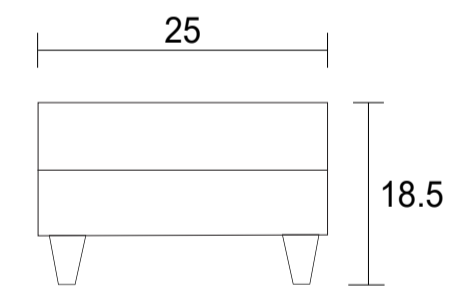


LHF Loveseat/RHF Armless Tuxedo Top View



Sideview



Ottoman

Specifications:

- 5" skinny tapered leg in espresso, walnut or natural. Please specify on order
- Sectional: 1 knife edge toss pillow (19"x19") with zipper, accented up to grade G (per arm or corner)
- No-Sag sinuous spring system with loose seat cushions
- Loose boxed back cushions
- No piping
- Pieces upholstered in leather do not include toss cushions
- Measurements may vary +/- 1"

March 11th, 2026

COM Requirement	Yards
LHF/RHF Armless Tuxedo	9.5
LHF/RHF Loveseat	8.5
Ottoman	2

Yardage indicated is based on 54" solid, railroded, non-matched fabrics